



EST. 1926

# SAUER SYSTEM



# FRX

ADJUSTABLE FOLDING ROD SYSTEM

# Engineered Without Compromises

Every FRX adjustable folding rod system is designed to meet the needs of the specific machine and applications as required.

Double rod system on a jumbo flexo folder-gluer



An FRX system handling a high-speed double wall banana box application



# Features

## INTEGRATION WITH EXISTING FOLDING BELTS

FRX arms can be configured to integrate with existing assist folding belts on both upfold and downfold machines. This is typically achieved by adding in an additional pivot point, resulting in a “C-shaped” folding arm.

## INDEX SCALES FOR REPEATING CHALLENGING SETUPS

Every pivot point comes with fully indexed swivel plates and a sight that allows operators to repeat challenging setups.



## HEAVY DUTY HOLD-DOWNS AT THE EXIT END

---

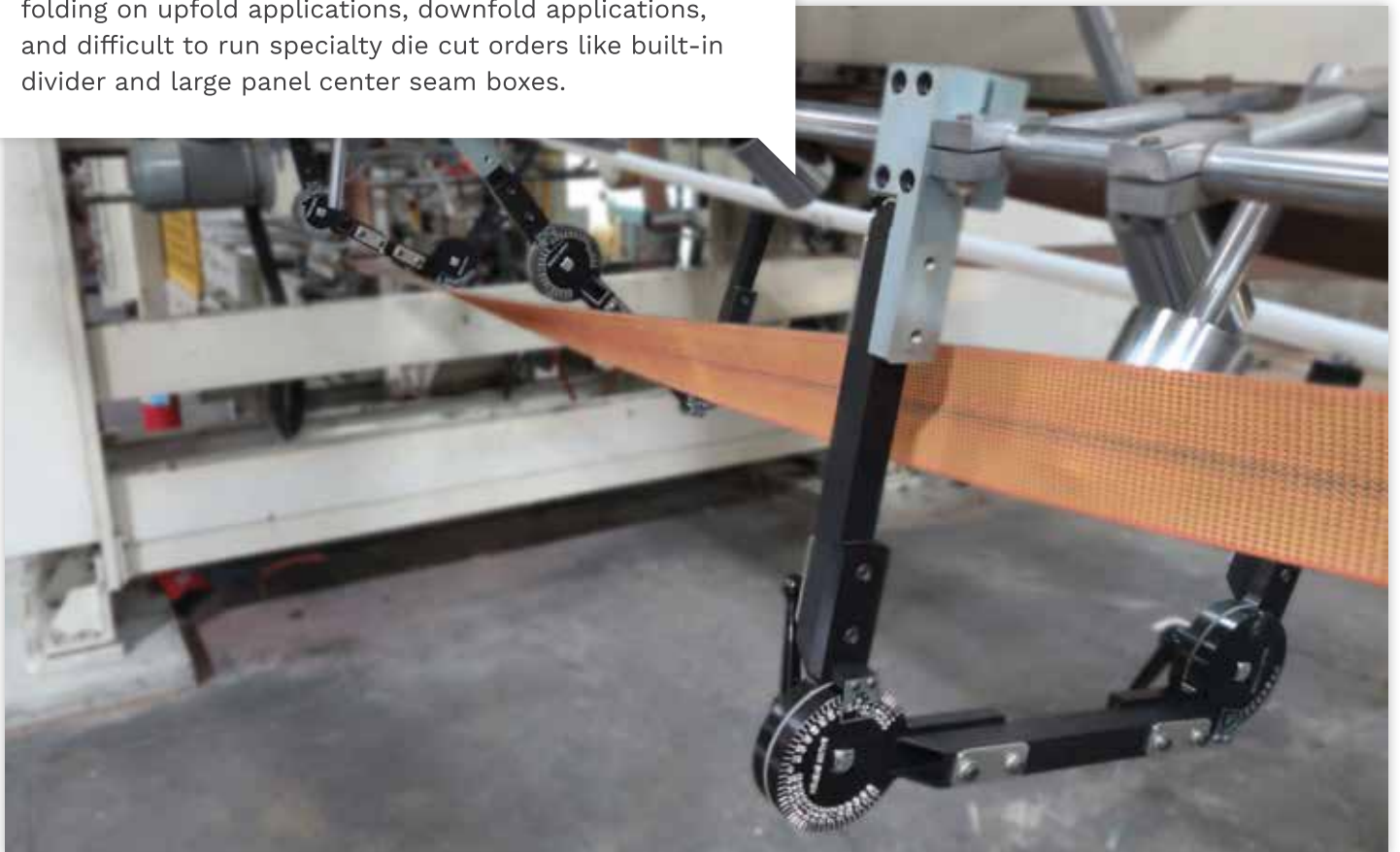
At the exit end of the folding section, where the boxes enter the counter-ejector or downstacker, custom length heavy duty hold-downs are used, which ensures the boxes leave the folding section flat.



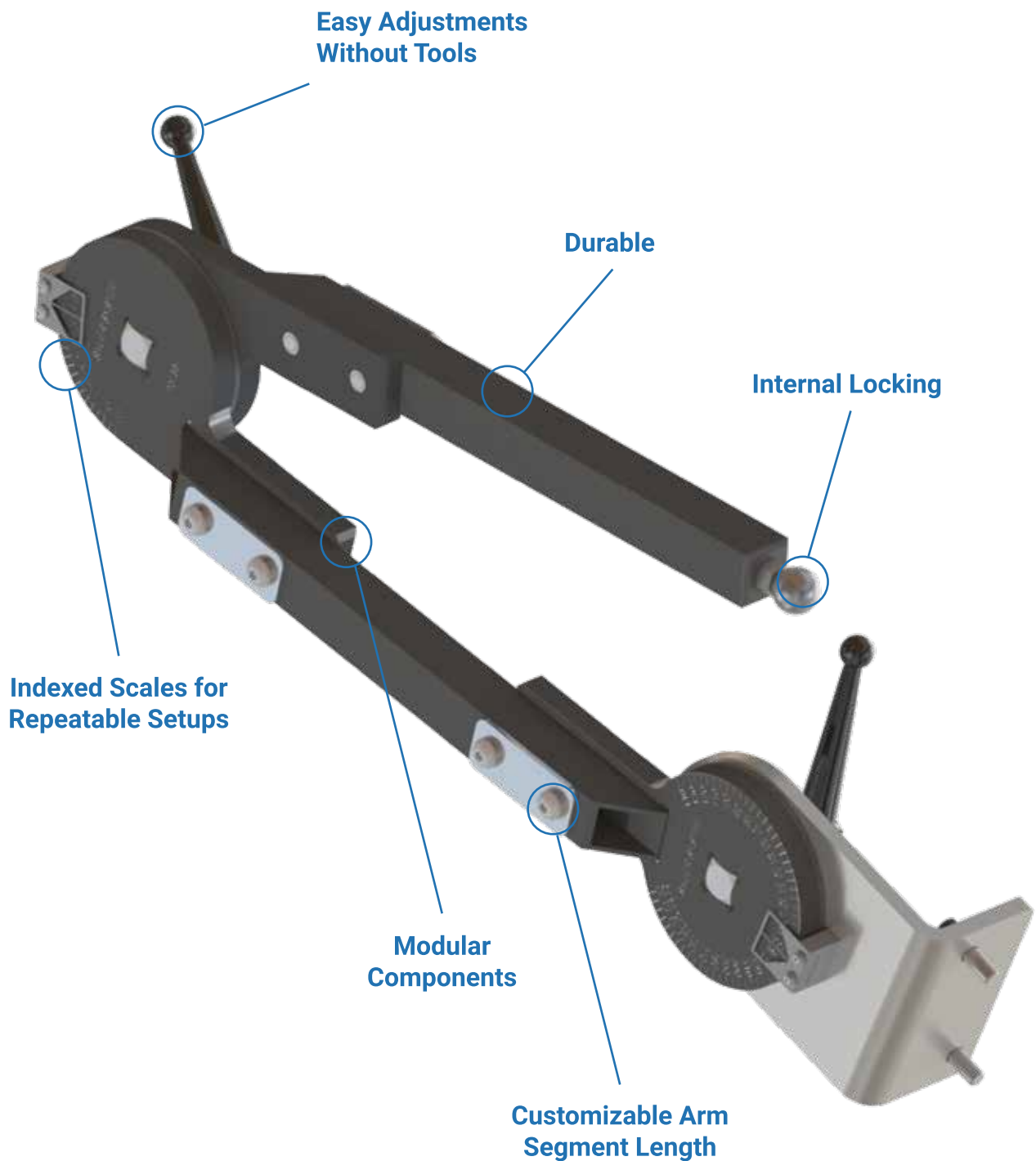
## SPECIAL APPLICATIONS

---

The FRX system has proven effective in improving folding on upfold applications, downfold applications, and difficult to run specialty die cut orders like built-in divider and large panel center seam boxes.



Modular components manufactured from lightweight, durable aluminum make FRX folding arms both fully customizable and virtually unbreakable, giving them a marked advantage over cast arms.





# The Sauer System Folding Rod Advantage

- **Reduced Setup Times**
- **Internal Locking Reduces Potential for Jam-Ups**
- **Improves Folding & Control of Flaps as they Run Through the Folding Section**
- **Increased Machine Speed & Productivity**
- **Lightweight Arms are Operator Friendly, Easy to Work with, & Virtually Unbreakable**
- **Easy-to-Read Indexed Sights Improve Repeatability when Running Challenging Orders**
- **Superior UHMW Rod Material with a Low Coefficient of Friction & Extreme Abrasion-Resistance**

*"Thanks to the FRX system, we were able to improve the production of the machine and produce better, more square boxes. The operators are very happy because the system is easy to use and allows them to standardize setups for repeat orders. We have noticed less time when changing orders and making adjustments, less jam-ups in the folding section, and better quality finished boxes. I would 100% recommend the system to other users."*

–Jorge Raisch / Plant Manager / Empaques San Lucas, Guatemala City, Guatemala